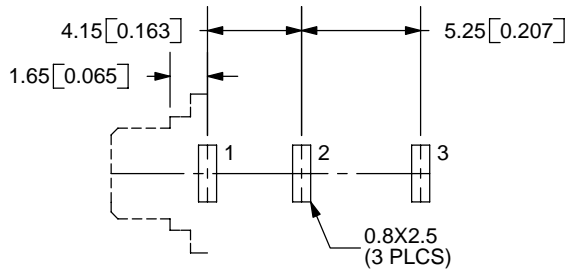
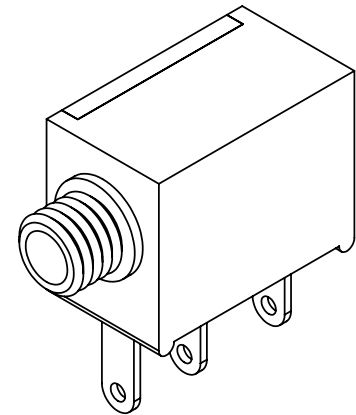
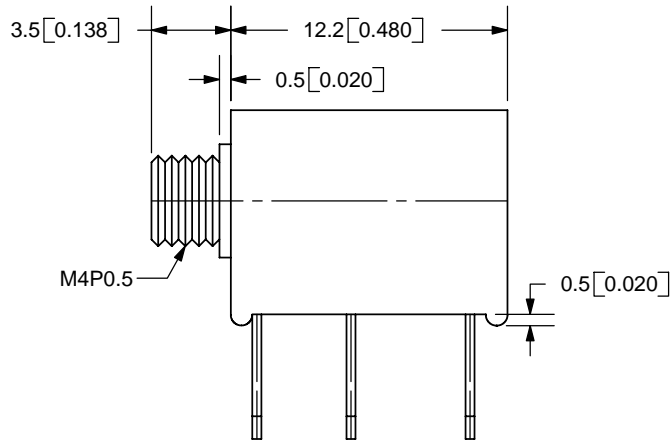
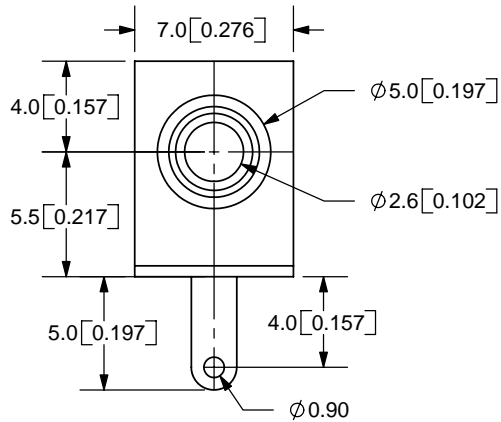
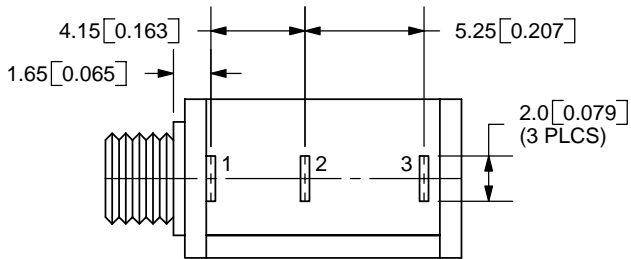


REV.	DESCRIPTION	DATE
A	NEW DRAWING	12/21/2005



PCB LAYOUT
TOP VIEW



TOLERANCE:
±0.3mm



SPECIFICATIONS:
 RATING: 12V DC @ 1A
 CONTACT RESISTANCE: 30m OHMS MAX
 INSULATION RESISTANCE: 50M OHMS MIN: 250V DC
 VOLTAGE WITHSTAND: 250V AC R.M.S. FOR 1 MINUTE
 LIFE: 5,000 CYCLES

MODEL NO.	MJ-2502
SCHMATIC	

	MATERIAL	PLATING
TERMINAL 1	Brass	Silver
TERMINAL 2	Brass	Silver
TERMINAL 3	Brass	Silver
COVER	PC	
HOUSING	PBT	



20050 SW 112th Ave.
 Tualatin, OR 97062
 Phone: 503-643-4899
 800-275-4899
 Fax: 503-372-1266
 Website: www.cui.com

TITLE:	2.5mm AUDIO JACK-MONO	REV:	A
PART NO.	MJ-2502	UNITS:	MM [INCHES]
DRAWN BY:	ZRJ	APPROVED BY:	
		SCALE:	3:1

PC FILE NAME:
MJ-2502

COPYRIGHT 2006 BY CUI INC.